

4G LTE

MIMO Antenna

UMB-76



Frequency : 694-960/1710-2170/1575.42/2400-2500/4900-6000MHZ

Gain : 2.5dBi for cellular, 27dB for GPS

Connector : FME/ SMA (Optional)

V.S.W.R : <2:1

Impedance : 50 ohm

Cable : RG174 for GPS, RG58 or CFD195 for others (Optional)

Weight: 1300g

Material : ABS Polymer

Polarization: Vertical

Color: Black/ White

Mount: Roof type

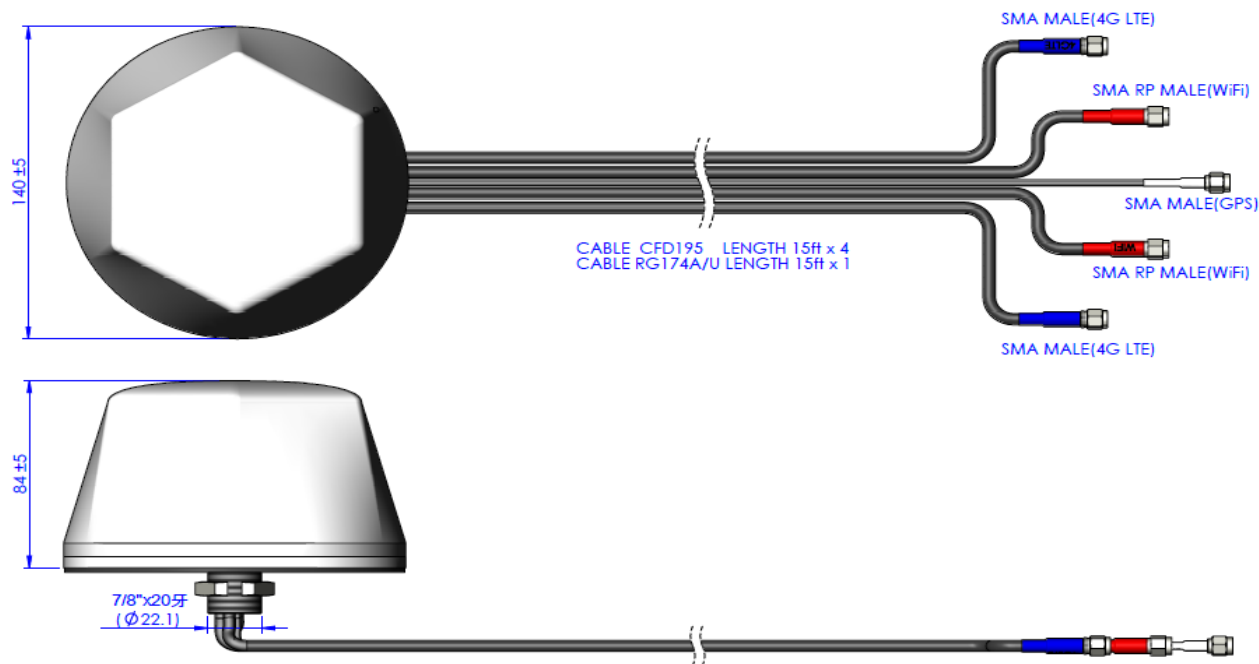
Temperature: -20°C to + 60°C

Dimensions: ϕ 140 x 82mm

© 2018 EVERCOM COMMUNICAITON TECHNOLOGY CO., LTD.

No.108 Jiesin St. Taoyuan District Taoyuan City 33063, Taiwan R.O.C.

Tel: +886-3- 376- 5678 Fax: +886-3- 376- 5319 E-Mail: service@evercomtech.com

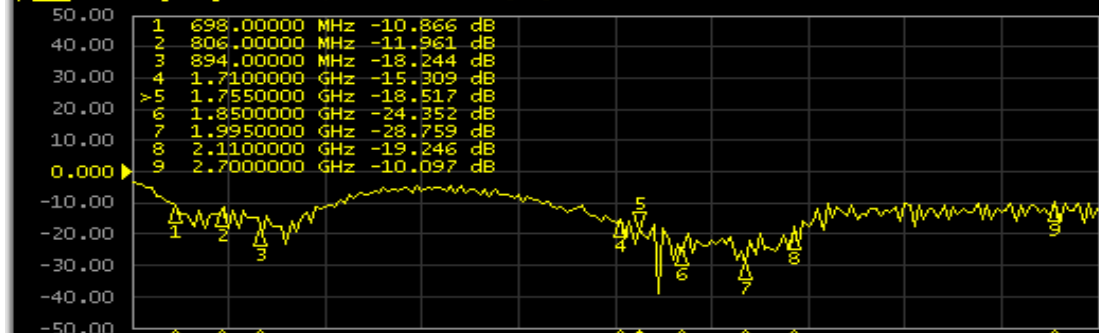


	EVERCOM COMMUNICATION TECHNOLOGY CO.; LTD		CHECKED BY	APPROVAL BY	DESIGNED BY	SCALE	UNIT
	MODEL NO.	UMB-76CSM4.5 / 2SM4.5 / 2SMR4.5			C.H.C 2017.05.11	1:2	mm

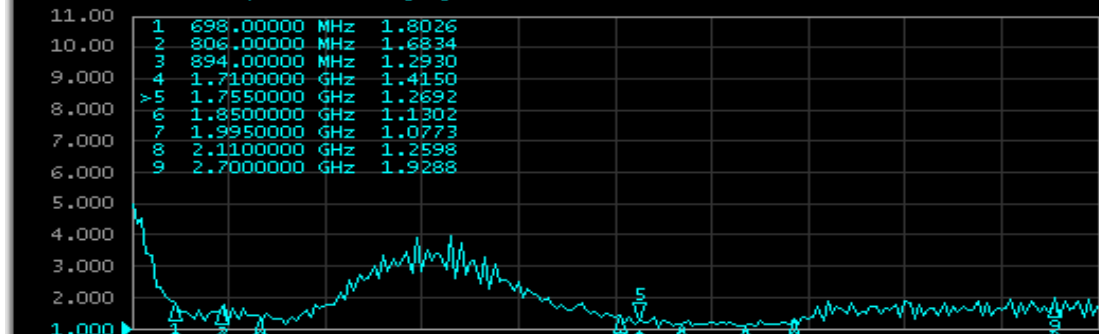
1 Active Ch/Trace 2 Response 3 Stimulus 4 Mkr/Analysis 5 Instr State

Evercom Communication Technology Co.,Ltd.

▶ Tr1 S11 Log Mag 10.00dB/ Ref 0.000dB [R0]



Tr2 S11 SWR 1.000/ Ref 1.000 [R0]



1 Start 600 MHz IFBW 70 kHz Stop 2.8 GHz Cor |

Meas Stop ExtRef Ready Svc 2017-08-09 13:05

System

Print

Abort Printing

Printer Setup...

Invert Image

ON

Dump

Screen Image...

Multiport Test Set

Setup

Misc Setup

Backlight

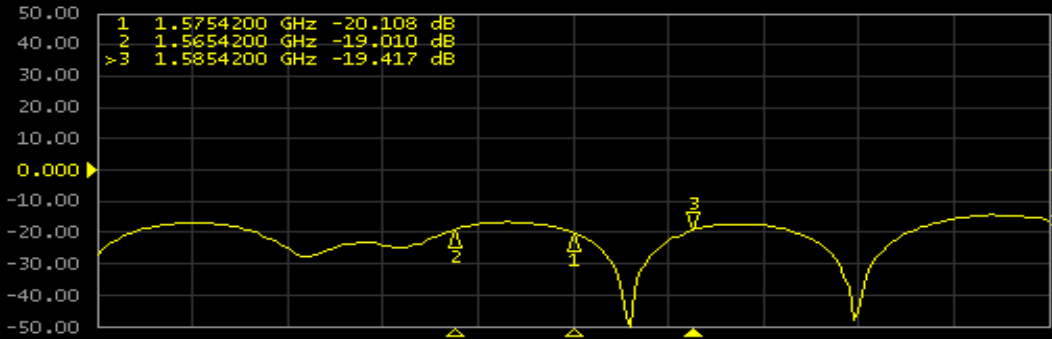
ON

Firmware

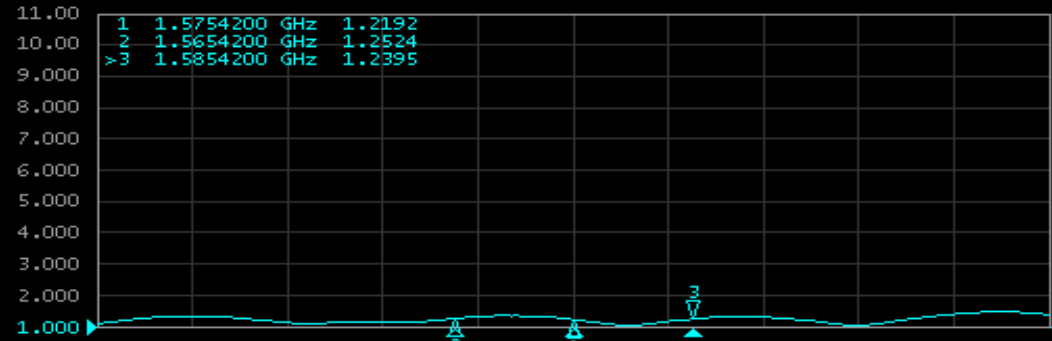
Revision

Evercom Communication Technology Co.,Ltd.

▶ Tr1 S22 Log Mag 10.00dB/ Ref 0.000dB [R0]



Tr2 S22 SWR 1.000/ Ref 1.000 [R0]



1 Center 1.57542 GHz IFBW 70 kHz Span 80 MHz Cor !

Meas Stop ExtRef Ready Svc 2017-08-09 13:14

System

Print

Abort Printing

Printer Setup...

Invert Image ON

Dump Screen Image...

Multiport Test Set Setup

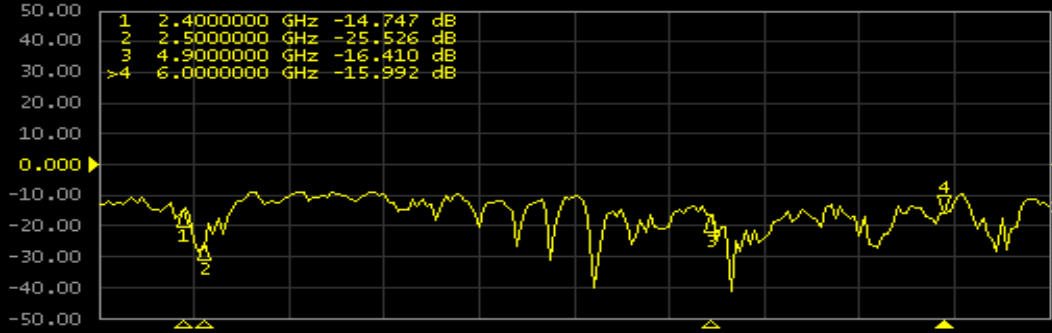
Misc Setup

Backlight ON

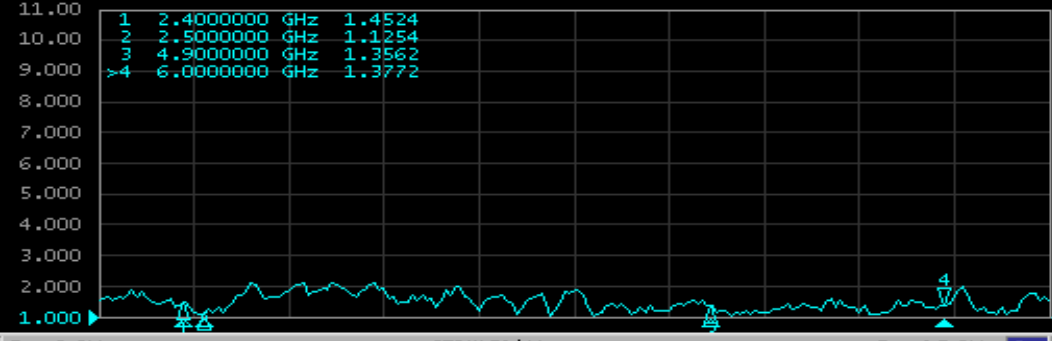
Firmware Revision

Evercom Communication Technology Co.,Ltd.

▶ Tr1 S11 Log Mag 10.00dB/ Ref 0.000dB [R0]



Tr2 S11 SWR 1.000/ Ref 1.000 [R0]



1 Start 2 GHz IFBW 70 kHz Stop 6.5 GHz Cor !

Meas Stop ExtRef Ready Svc 2017-08-09 12:54

System

Print

Abort Printing

Printer Setup...

Invert Image ON

Dump Screen Image...

Multiport Test Set Setup

Misc Setup

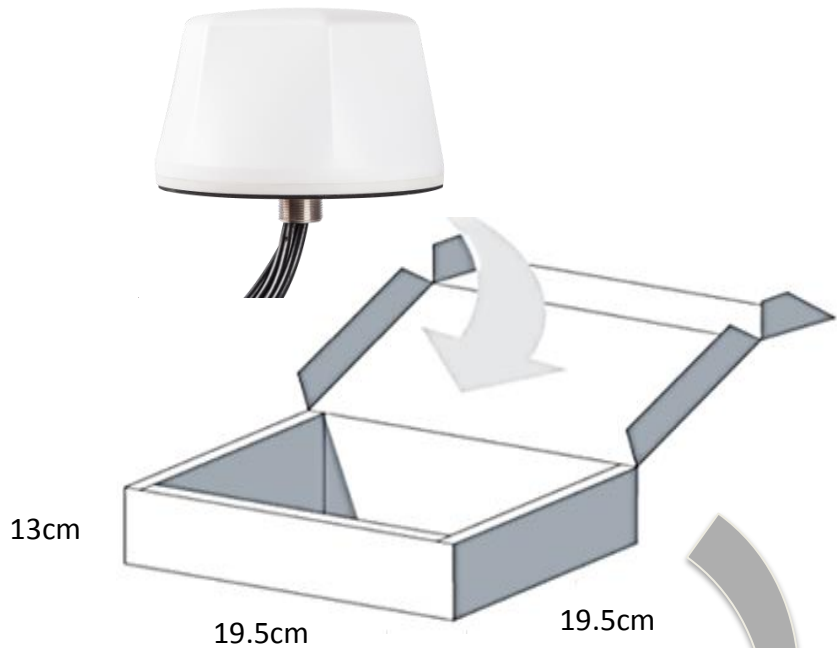
Backlight ON

Firmware Revision

4G LTE

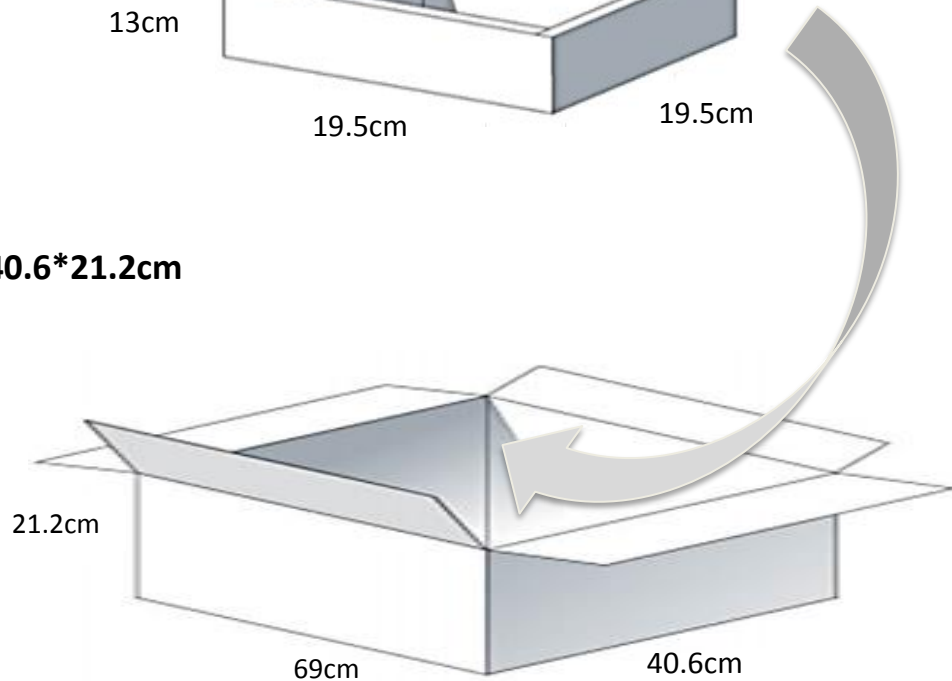
Packaging

Each antenna pack in a
inner white box



10 PCS Per Carton

Carton Dimensions: 69*40.6*21.2cm



4G LTE



Antenna Applications

